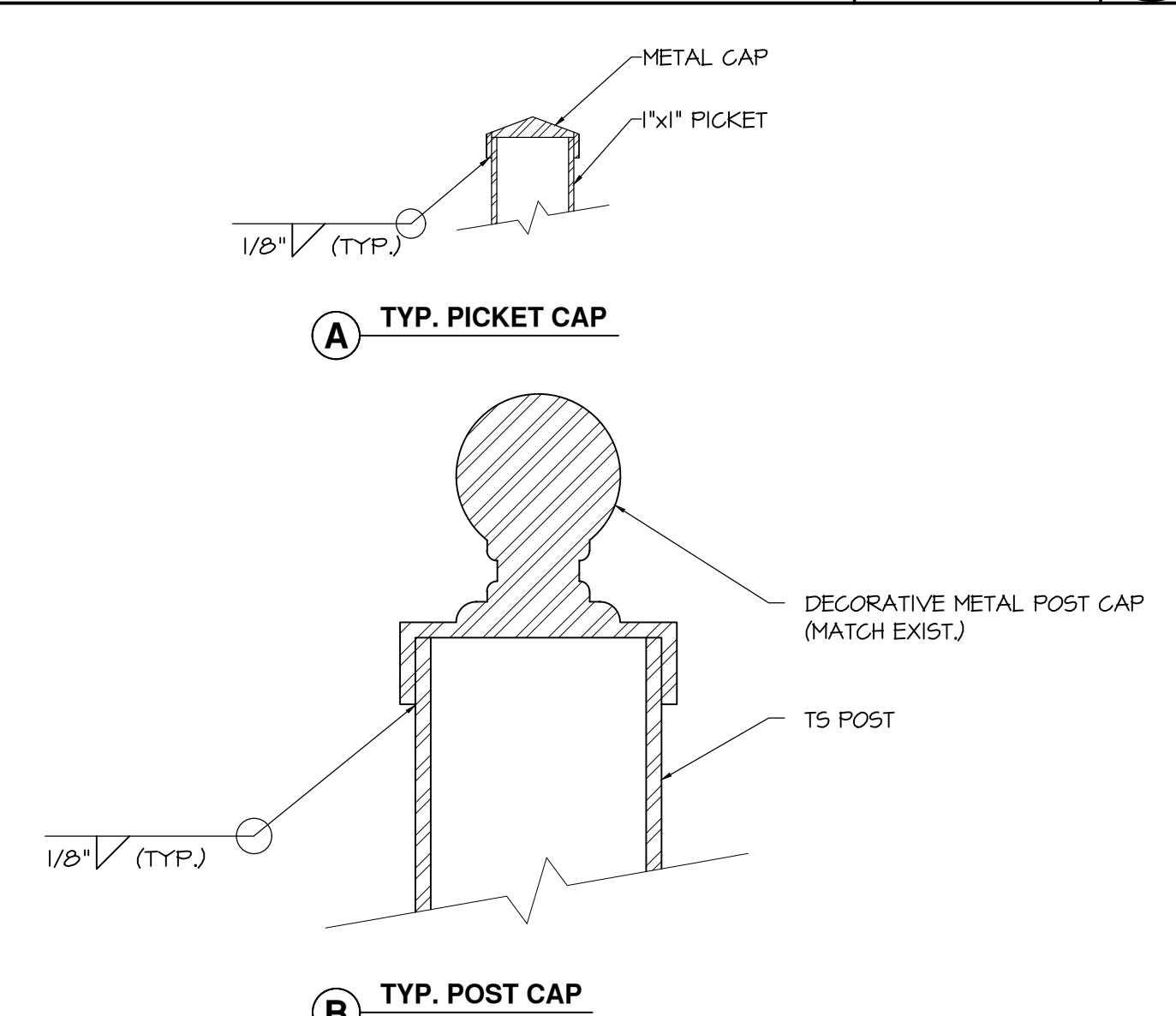
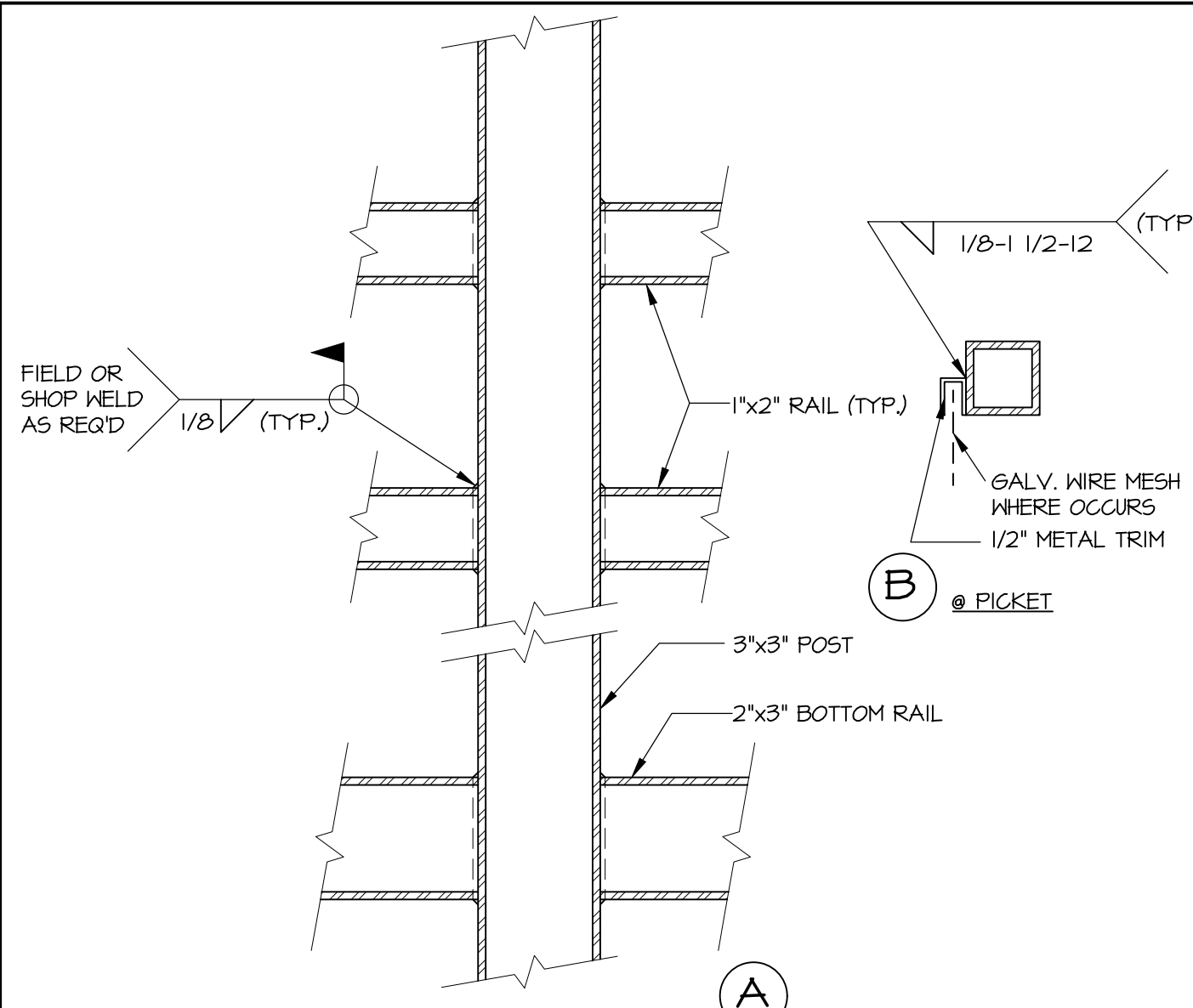
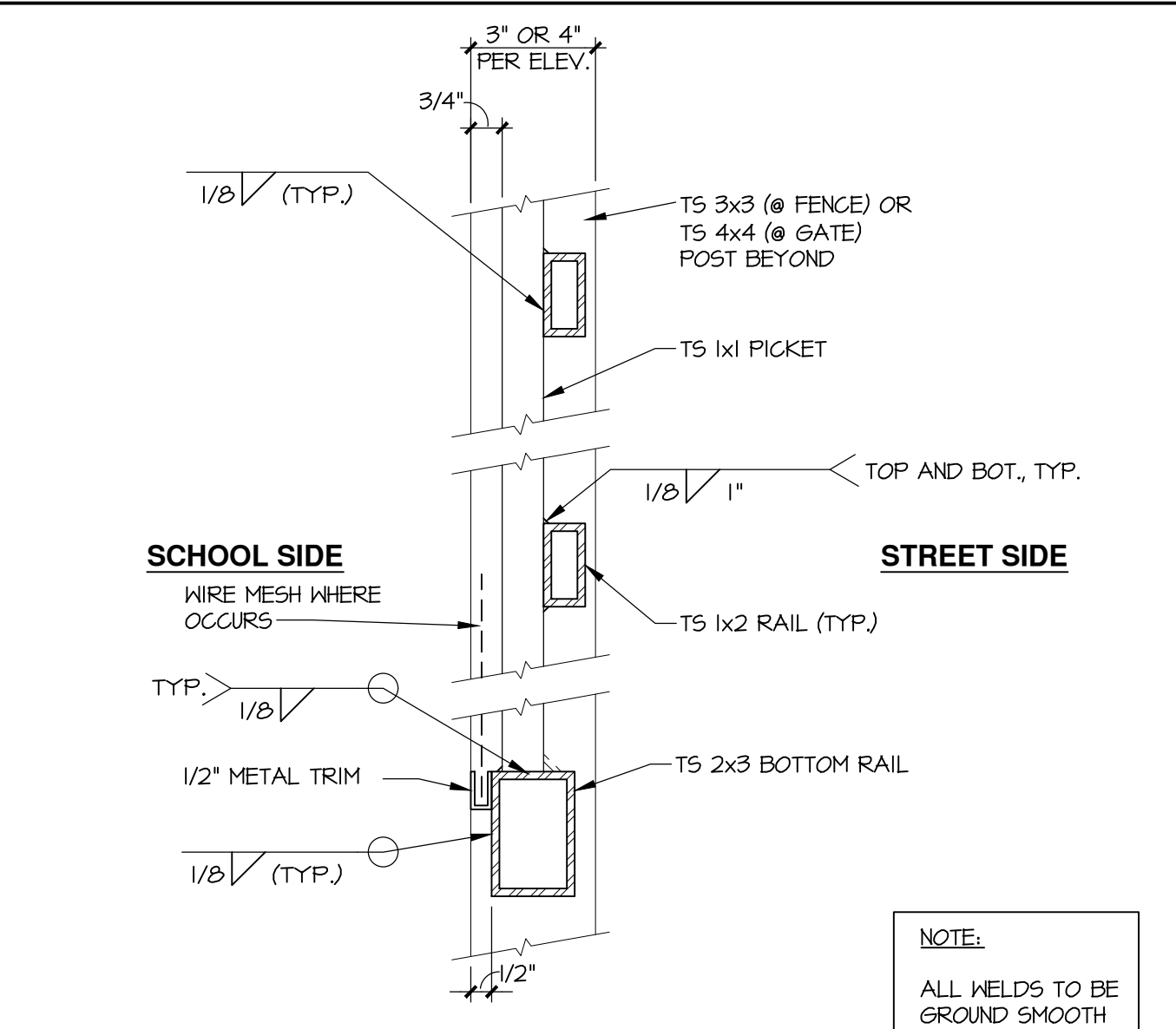
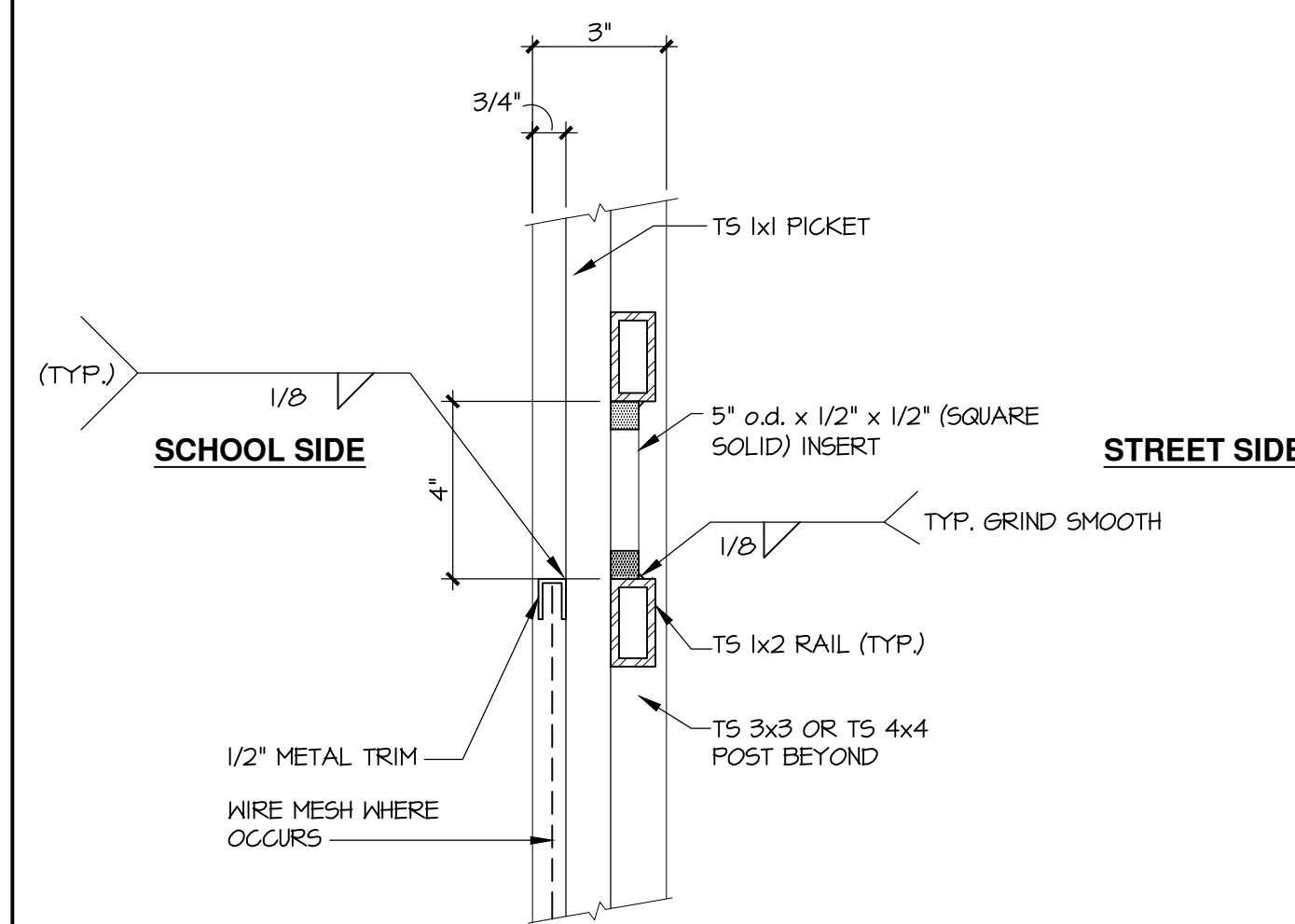
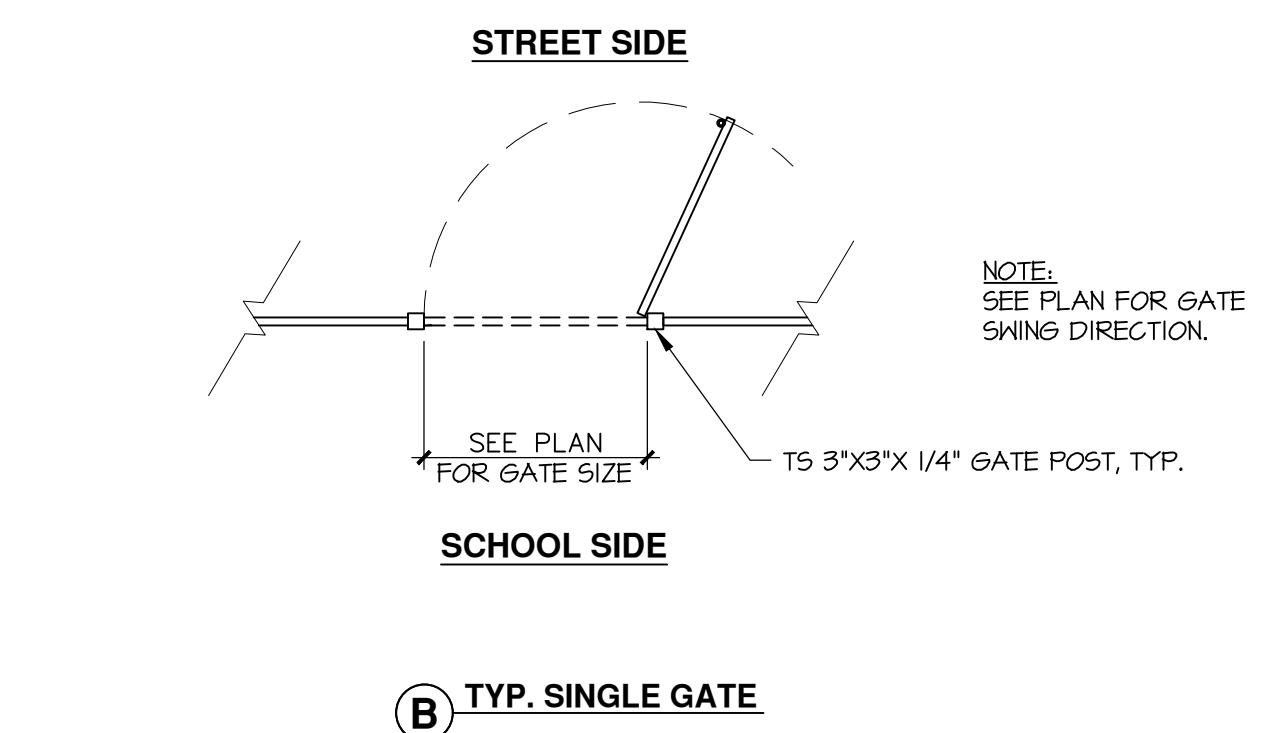


TYP. FENCE SECTION

SCALE: 1/2" = 1'-0" 13

TYPICAL FENCE / GATE ELEVATIONS (PARKING LOT SIDE VIEW)

SCALE: 1/2" = 1'-0" 1



TYP. GATE PLAN

SCALE: 1/4" = 1'-0" 18

TYP. INSERT @ RAIL

SCALE: 3" = 1'-0" 14

TYP. RAIL @ PICKET

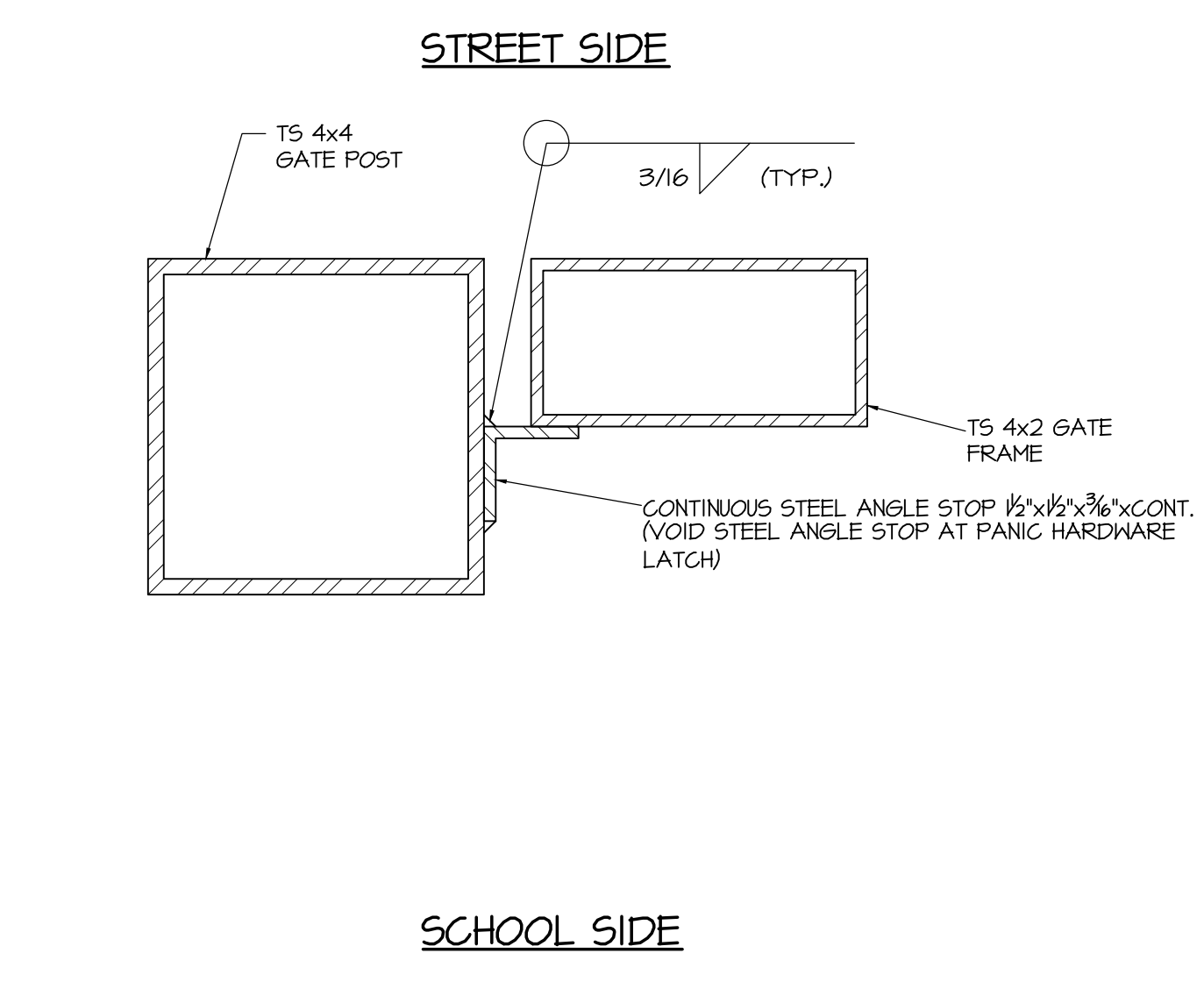
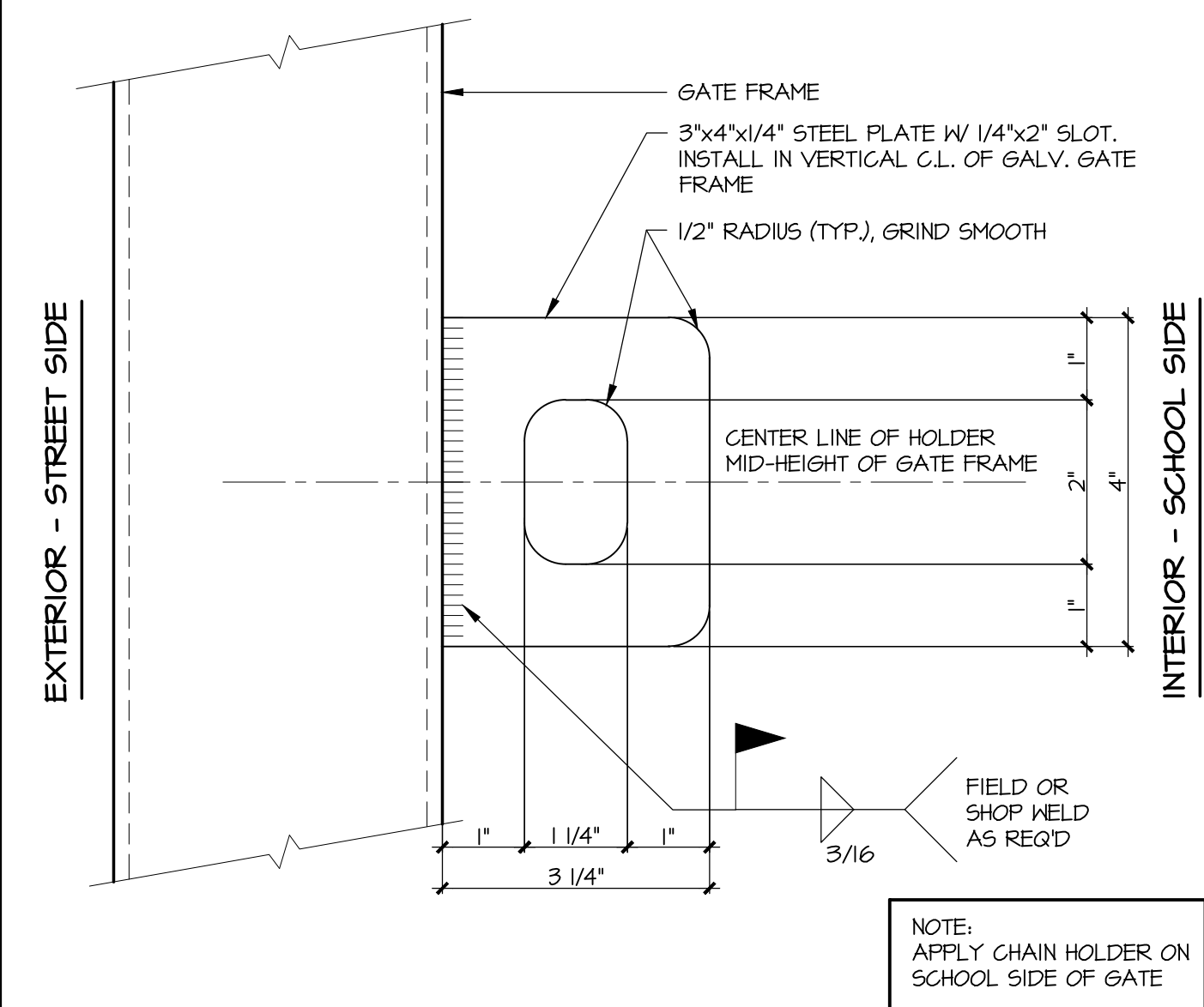
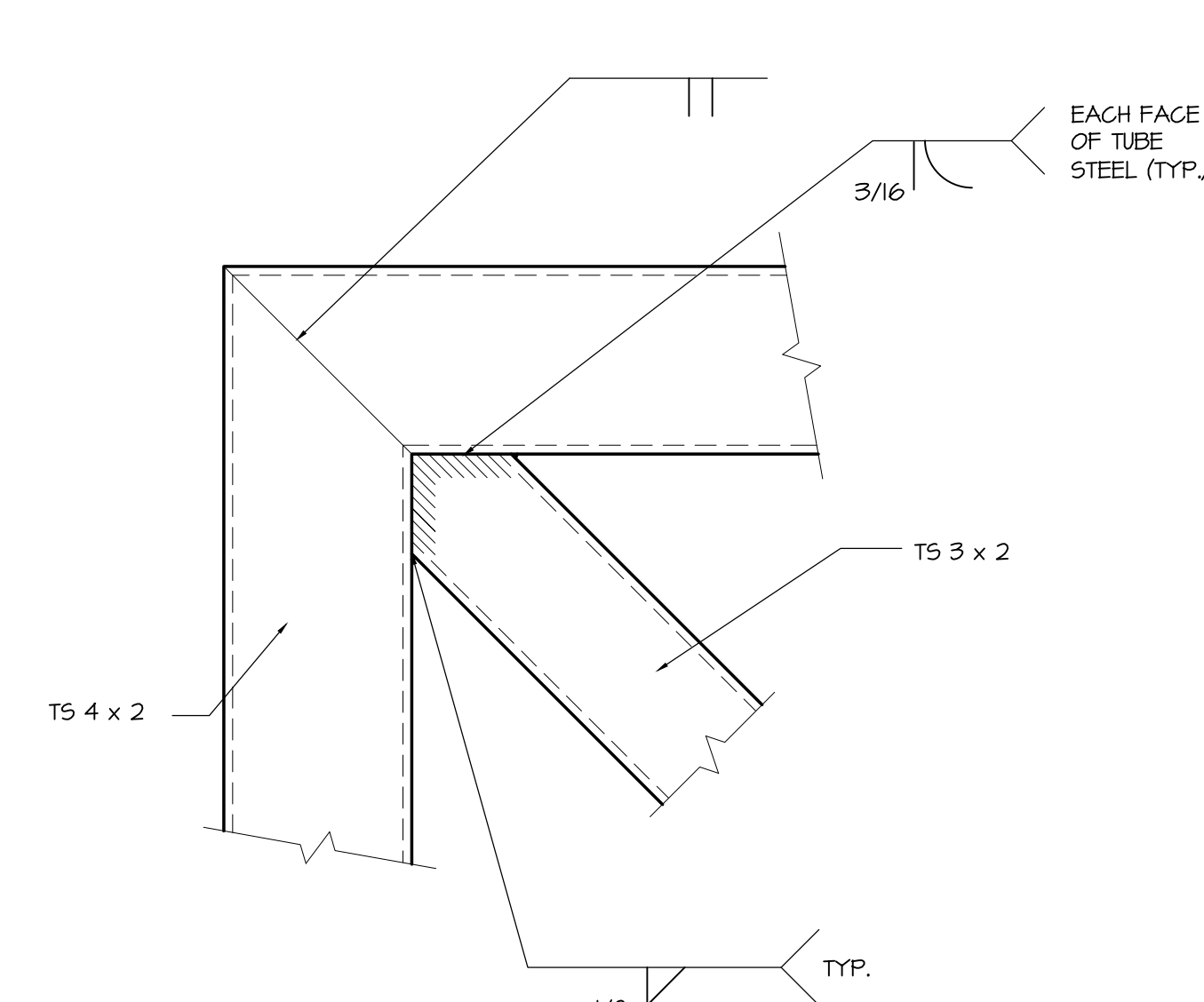
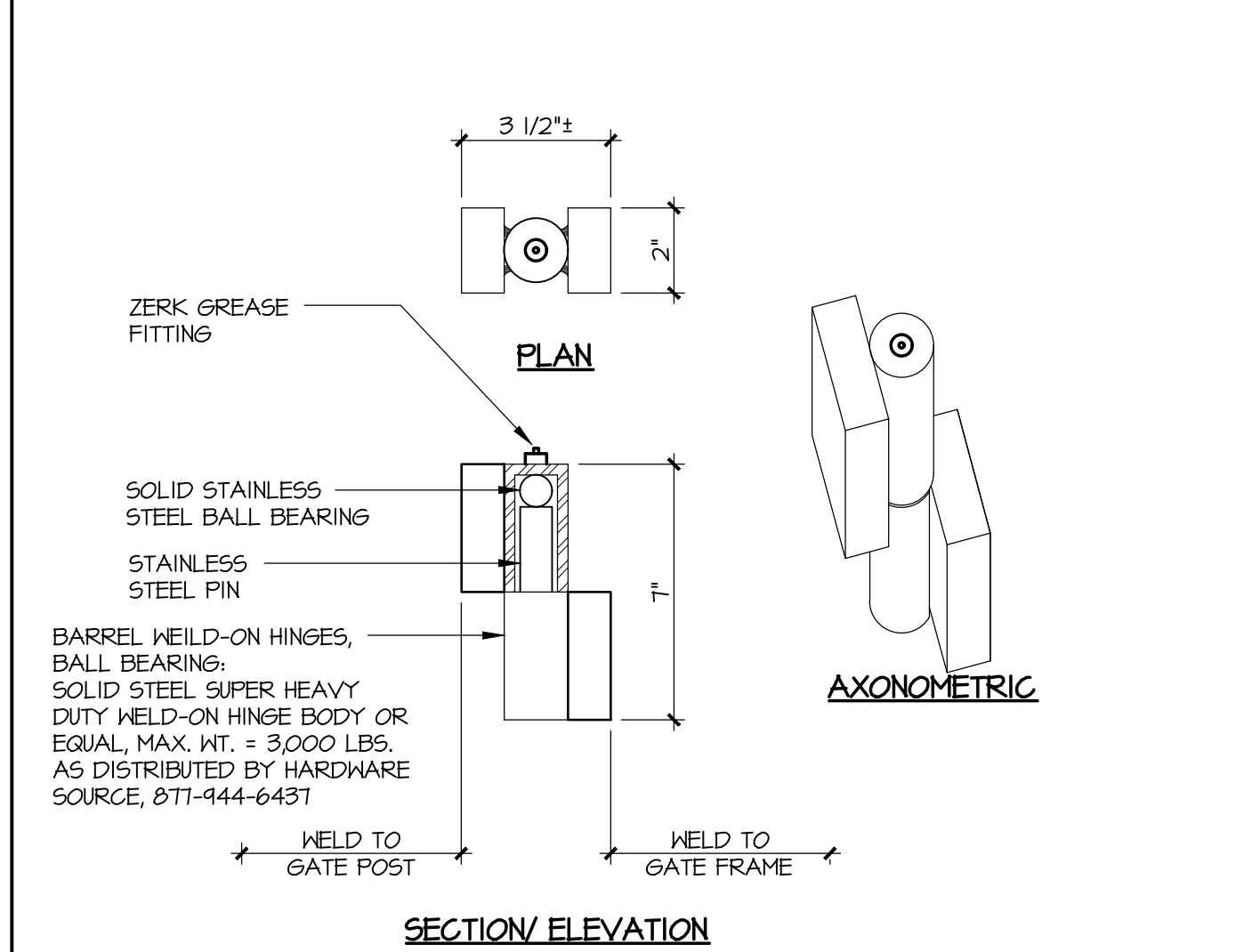
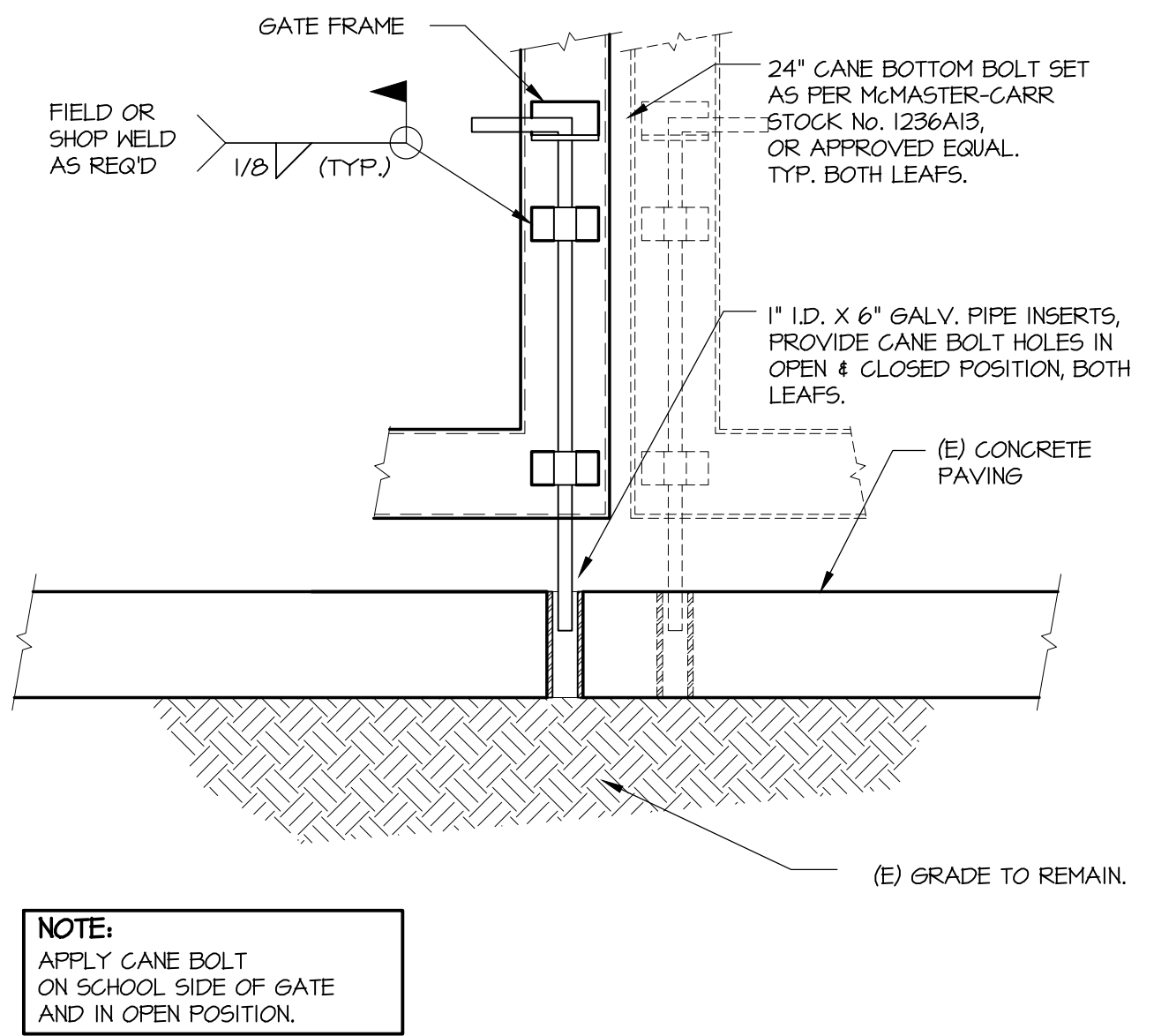
SCALE: 3" = 1'-0" 10

TYP. RAIL @ POST

SCALE: 3" = 1'-0" 6

TYPICAL CAP

SCALE: 6" = 1'-0" 2



TYP. CANE BOLT

SCALE: 1/2" = 1'-0" 19

TYP. BARREL GATE HINGES (DOUBLE GATE)

SCALE: 3" = 1'-0" 15

TYP. GATE FRAME CORNER

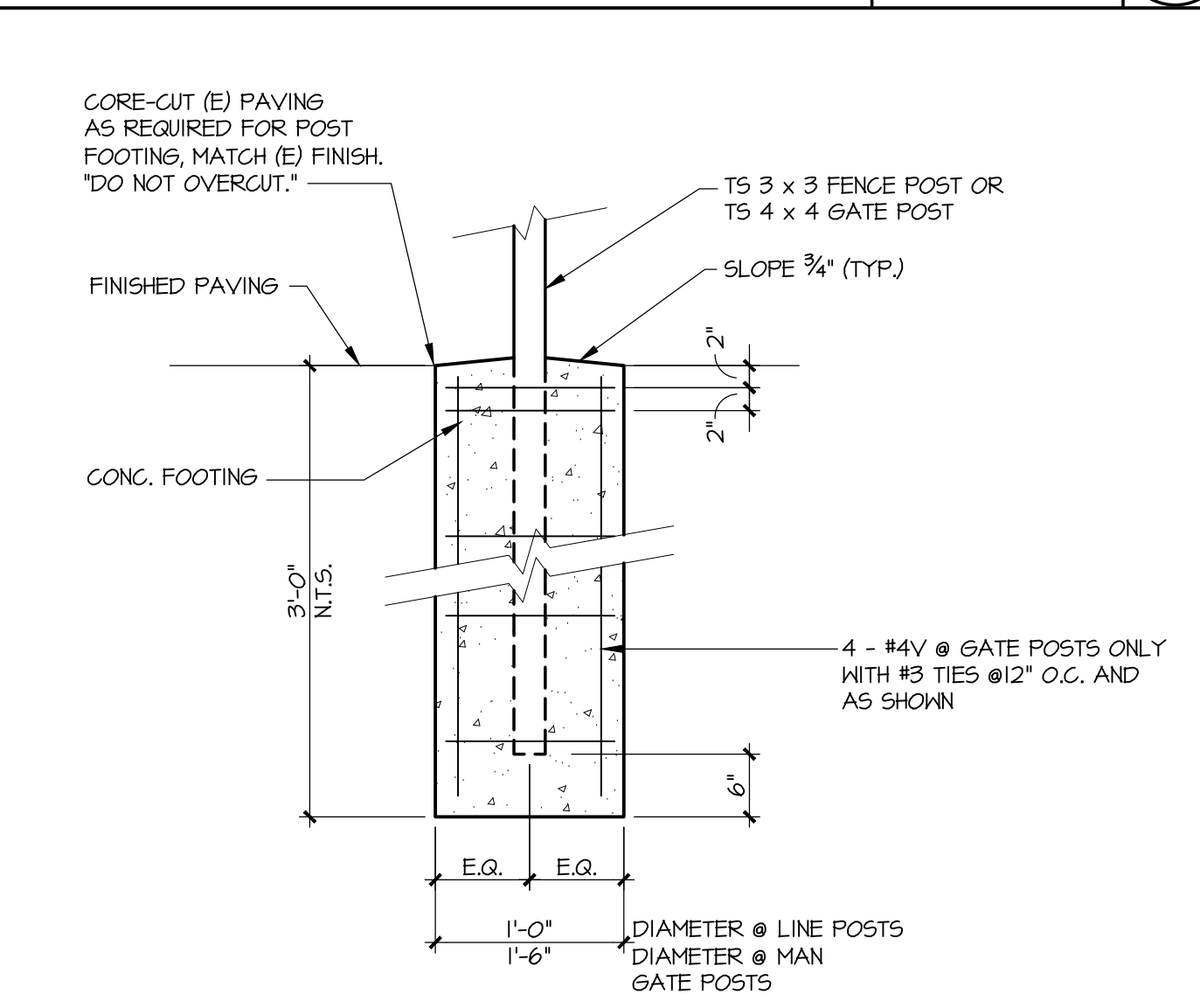
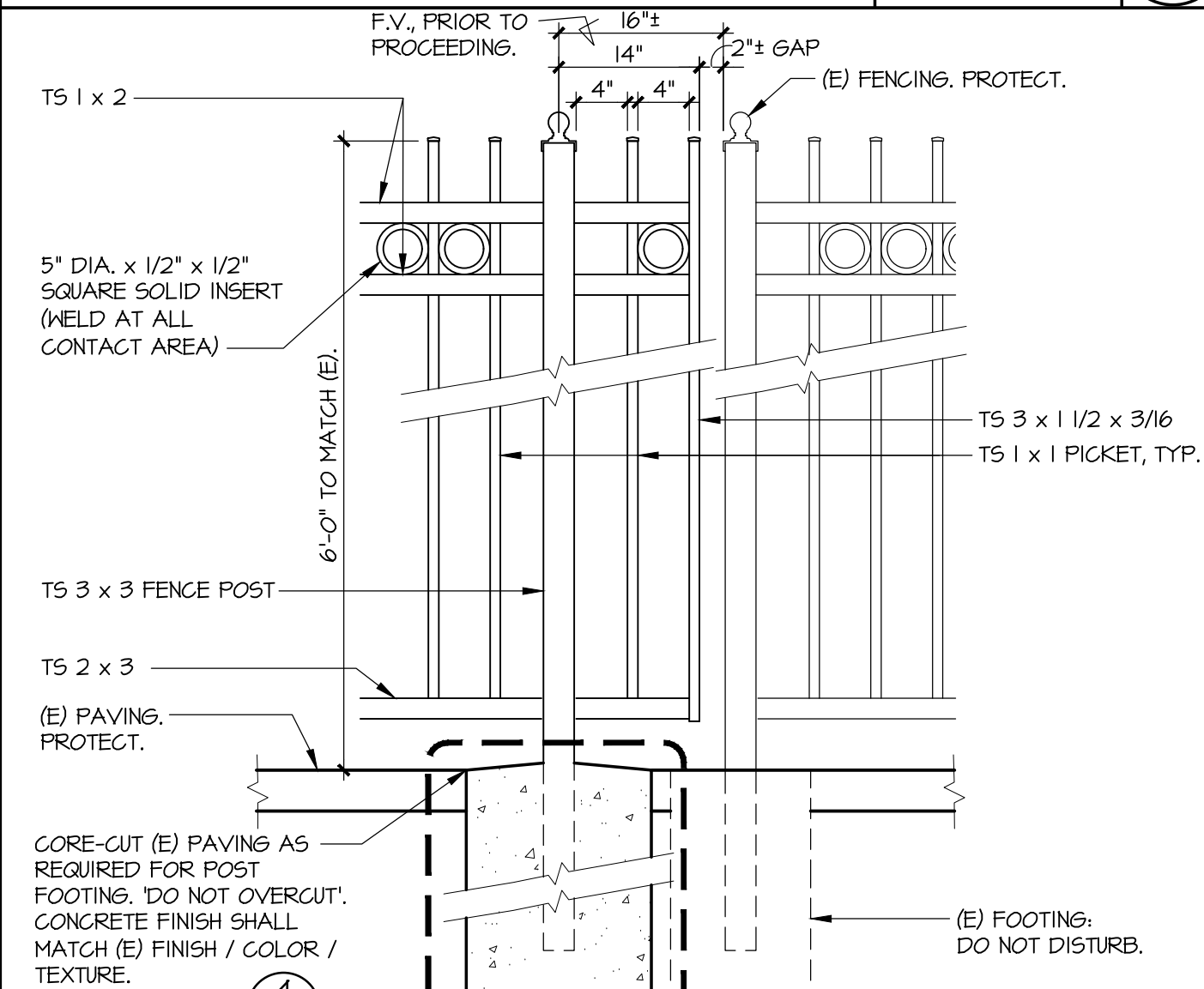
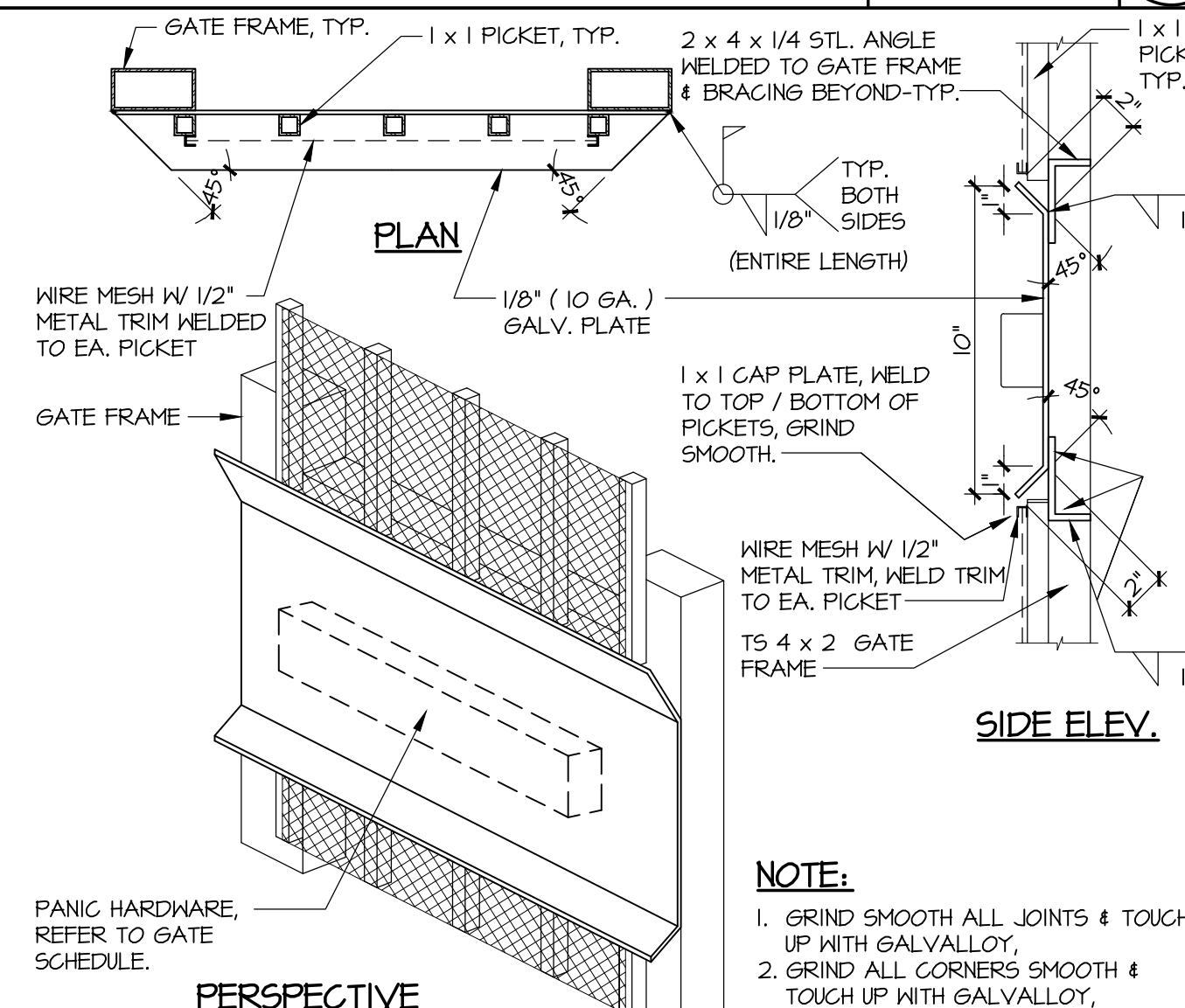
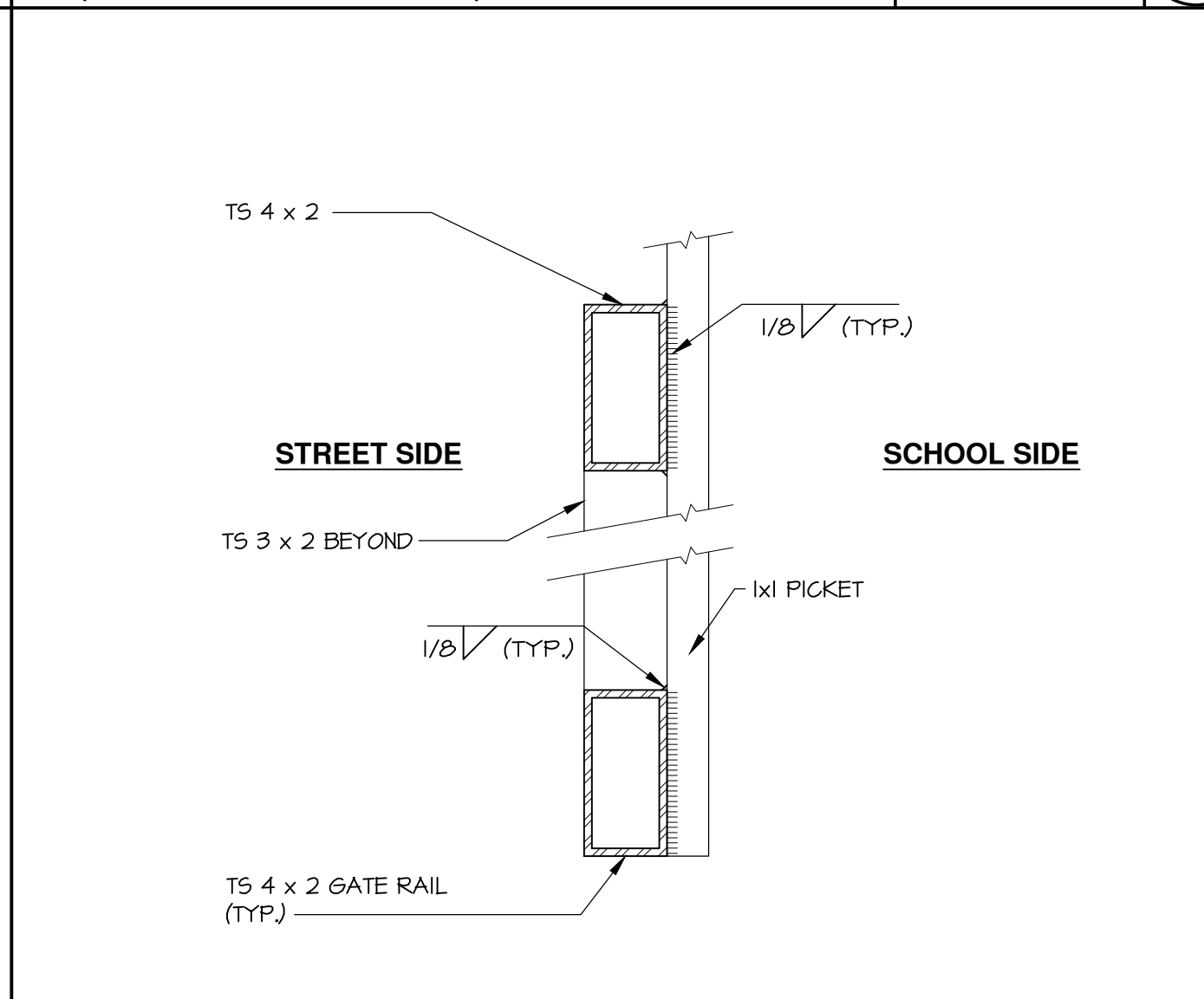
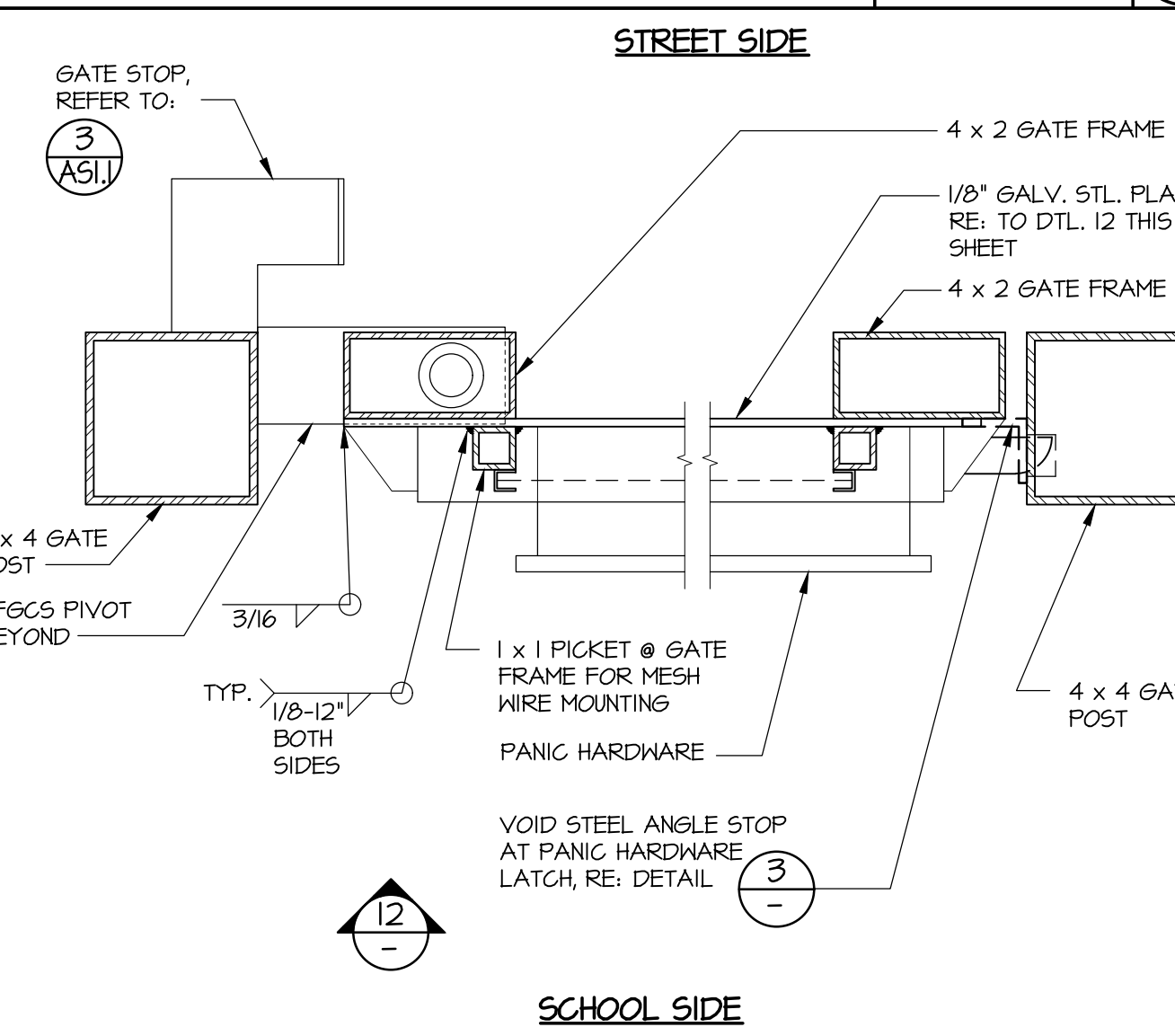
SCALE: 6" = 1'-0" 11

TYP. GATE CHAIN HOLDER

SCALE: 6" = 1'-0" 7

TYP. MAN GATE STOP ANGLE

SCALE: 6" = 1'-0" 3



GATE ATTACHMENT

SCALE: 3" = 1'-0" 20

GATE RAIL @ PICKET

SCALE: 3" = 1'-0" 16

PANIC HARDWARE PLATE AT FENCE GATE

SCALE: 1/2" = 1'-0" 12

END PANEL @ (E) FENCE

SCALE: 3/4" = 1'-0" 8

POST FOOTING

SCALE: 3/4" = 1'-0" 4

DESIGNED BY: AER
DRAWN BY: CM
CHECKED BY: JFP
NO. DATE REVISION BY

ZIEMBA + PRIETO ARCHITECTS
601 South Clemons Blvd. • Suite 400 • Burbank, CA 91502
P: (818) 841-2888 • F: (818) 841-7782 • www.ziembaprieto.com

SHIELYN ELEMENTARY SCHOOL
1950 E NACORA ST
ROWLAND HEIGHTS, CA 91748

WRIGHT IRON FENCE DETAILS
C-33216
RENEWAL DATE 03-30-21
STATE OF CALIFORNIA

DATE: 04/03/17
JOB NO.: 160504
SHEET NO. ASI.4